

REFERENCE : KI0236

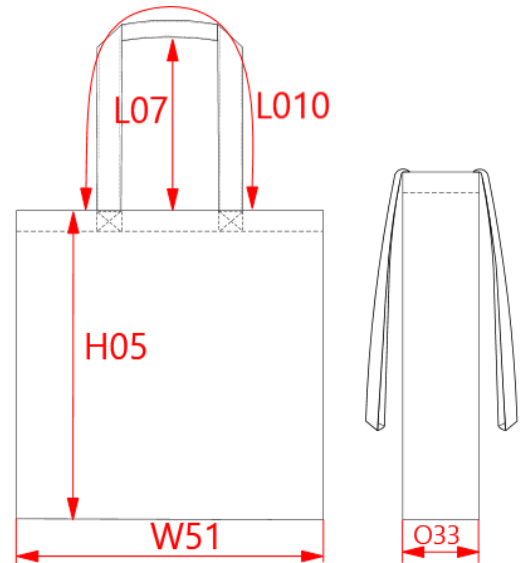
SIZES : U

COMPOSITION :

: Cotton / Jute woven 75/25 - 380 75%cotton / 25%jute
 : Canvas Unlaminated For inside pocket sack 100% Cotton

ARTICLE WEIGHT :

240 gr/pc



DESCRIPTION	
Français :	Sac shopping à rayures en juco
English :	JUCO STRIPED SHOPPER BAG
Nederlands :	Gestreepte shopper van juco
Deutsch :	Gestreifte Shoppingtasche aus Juco
Español :	Bolsa de compras de juco a rayas
Italiano :	Shopper a righe in juco
Português :	Saco de compras às riscas em juco

COLORS	PANTONE SERIGRAPHIE
Iris blue / Natural	7545C / 7534C
Magenta / Natural	205C / 7534C
Steel grey / Natural	446C / 7534C

MEASUREMENT	
Description	U
H05 Hauteur totale / Total height	45
W51 Total width	45
L07 Height of shoulder belt	28
L010 Longueur bande épaule / Total length of handle	59
O33 Deep of bottom part	15

PACKING	
Box	40 pcs / box U => L:48cm W:48cm H:40cm GW:14.2kg NW:12.4kg