



**REFERENCE :** KP601

**SIZES :** S/M\_L/XL

**COMPOSITION :**

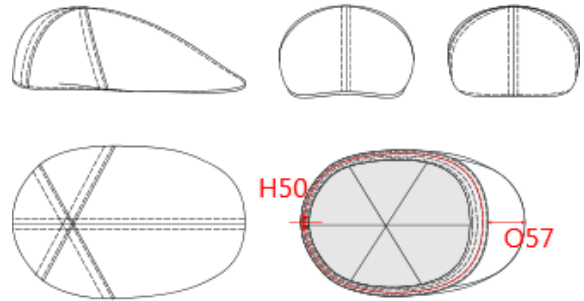
Main fabric : Brushed Cotton twill - 260 For outside. 100% cotton

Lining : Cotton twill - 175 For inside lining + inner sweatband. 100% cotton

Material 6 : Rubber quality For peak. 100%rubber

**ARTICLE WEIGHT :**

80gr/pc



DESCRIPTION
<b>Français :</b> Béret duckbill
<b>English :</b> Duckbill hat
<b>Nederlands :</b> Klassieke Duckbill hat
<b>Deutsch :</b> Klassischer basenmütze - Hut
<b>Español :</b> Gorra Duckbill
<b>Italiano :</b> Coppola invernale con visiera
<b>Português :</b> Boina

COLORS	PANTONE SERIGRAPHIE
Black	Black

MEASUREMENT						
Description	S/M	L/XL				
<b>H50</b> Tour de tête / Head measurement	56	58				
<b>O57</b> Deep of the peak on baseball cap	4,80	4,80				

CARE LABEL				

PACKING	
Box	100 pcs / box S/M=> L:56cm W:30cm H:46cm GW:9kg NW:8kg L/XL=> L:56cm W:30cm H:46cm GW:9kg NW:8kg